

1-800-639-2199

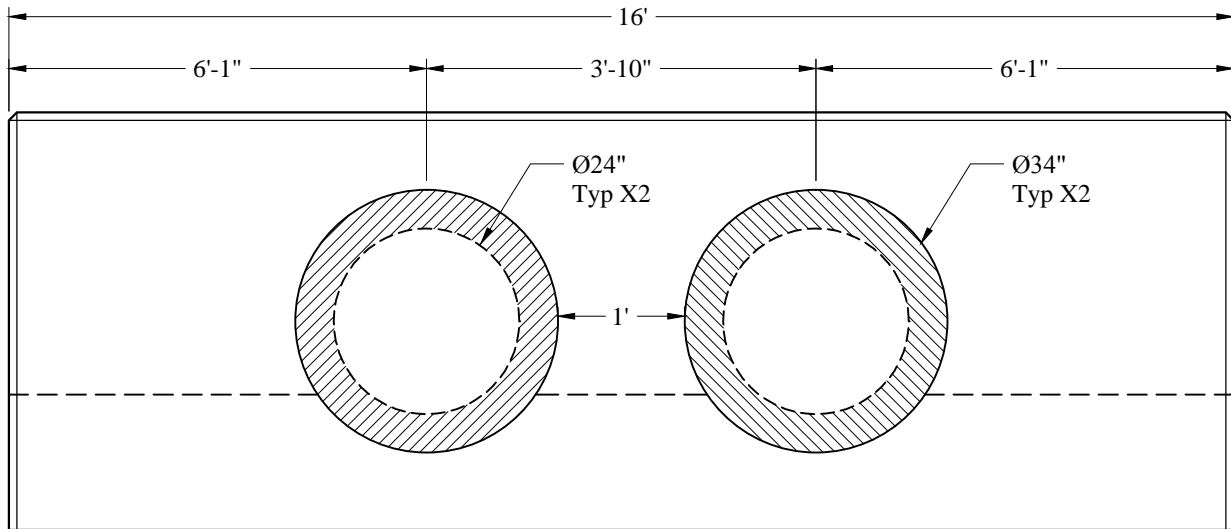
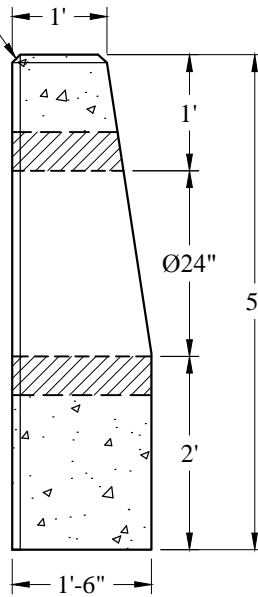
Fax (603) 224-2927

Headwall\Standard\Straight\Dual 24in Phoenix Standard HW (v)

Phoenix Precast Products

Phoenix Precast Products

1" Chamfer All Exposed Surfaces



General Notes

1. Steel Reinforcement Conforms to Latest ASTM Specification: ASTM A-615 Grade 60 Black Deformed Bars
2. Concrete: $f_c = 4,000$ psi @ 28 Days Minimum
3. Est Weight: 13,650 Lbs

Phoenix
Precast
Products

Phoenix Standard
Dual Headwall
24" Pipe

P/N: HW-D24